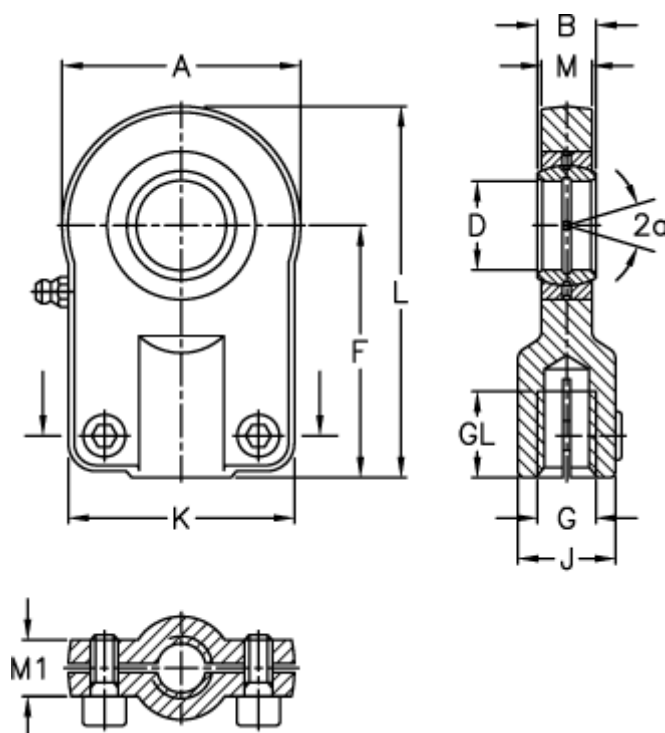


Article number: 03550030

Description: Fluro hydraulic rod end FPR 30S

## Measures



A	= 80	J	= 36
a (degrees)	= 6	K	= 77
B	= 22	L	= 125
D	= 30	M	= 19
Dynamic load C (kN)	= 62	M1	= 19
F	= 85	Static load C0 (kN)	= 108
g	= M20x1,5	Torque (N m)	= 49
GL	= 29	Weight	= 1300